

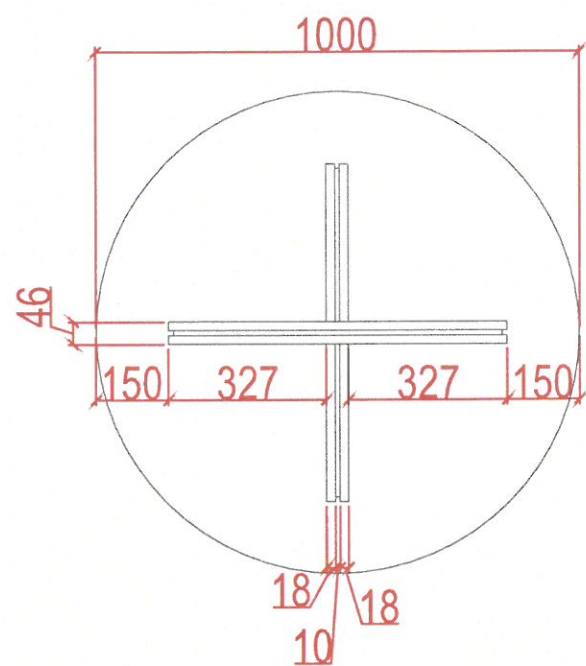
Executive Office 1 ROUND MEETING TABLE 4th Floor

Project

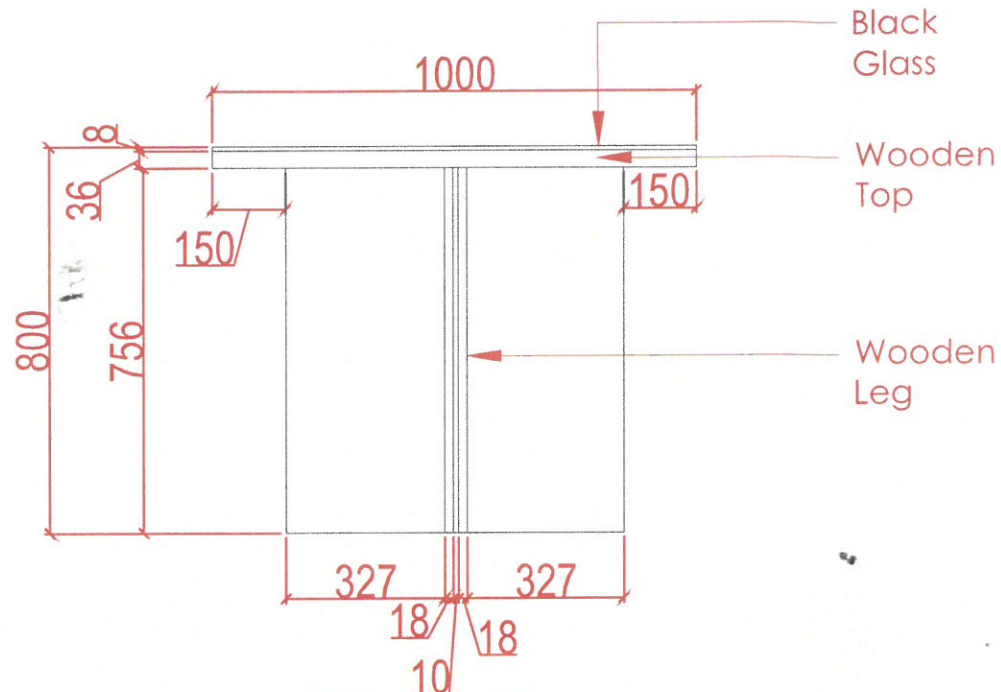


Owner

Date	Description
DSD-V1-ID-17/11/2024 - REV1	
DSD-V1-ID-27/1/2025 - REV2	

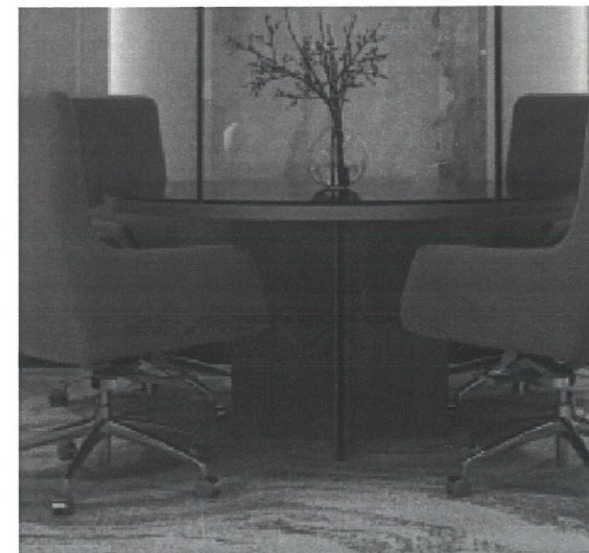


Top view
Details



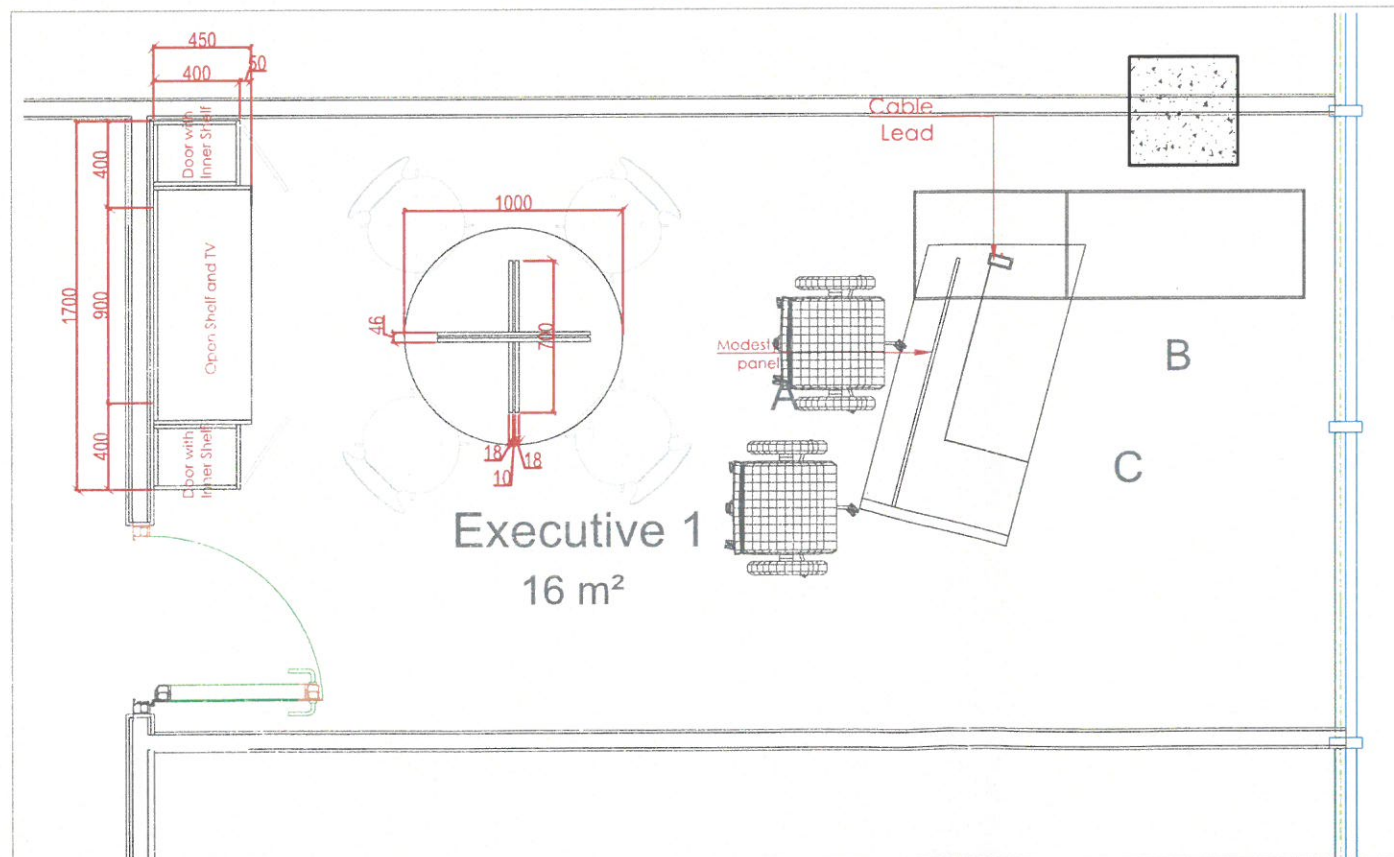
Elevation
Details

Black Glass
Wooden Top
Wooden Leg



FINISHES

JN-02
Starwood 310



Executive 1
16 m²

Black glass Top



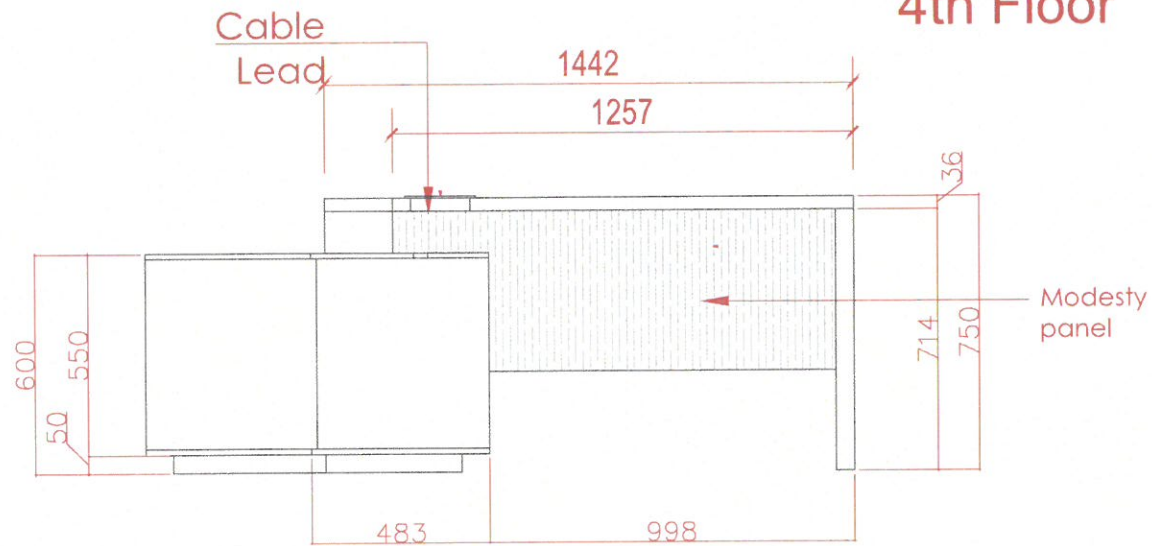
FOR APPROVAL

Project No. : ---
Scale : N/A
Drawn by : OBJ
Checked : OBJ
Cad File : CAD_FILE

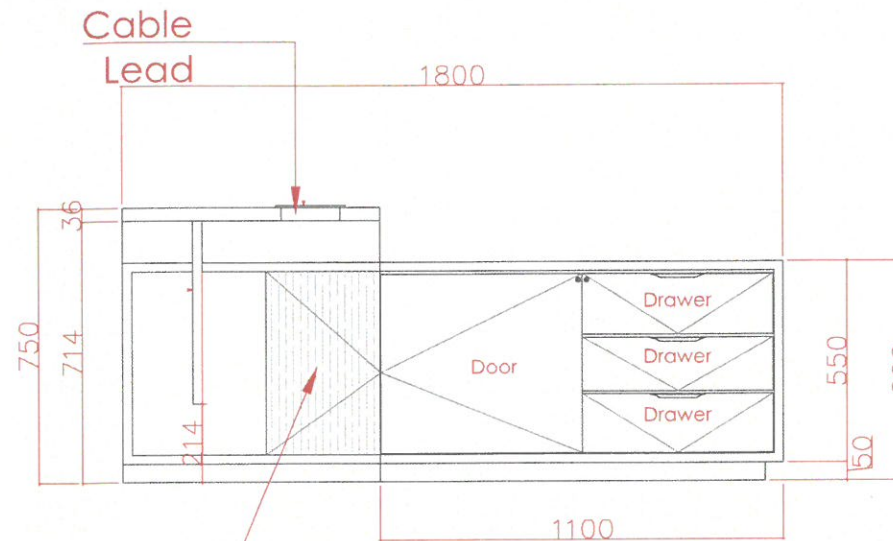
Sheet title
4TH FLOOR
Executive 1
ROUND MEETING TABLE
Floor Plan / Elevation /Sections

Dwg No. WS-DS-SD-ND-037	No. SHEET 1
----------------------------	----------------

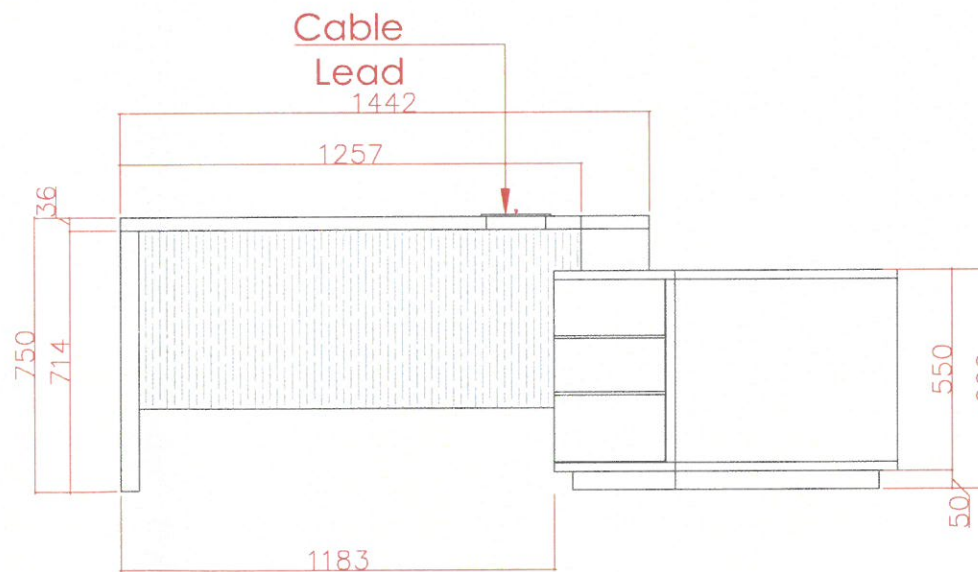
Executive Office 1 L-SHAPED DESK 4th Floor



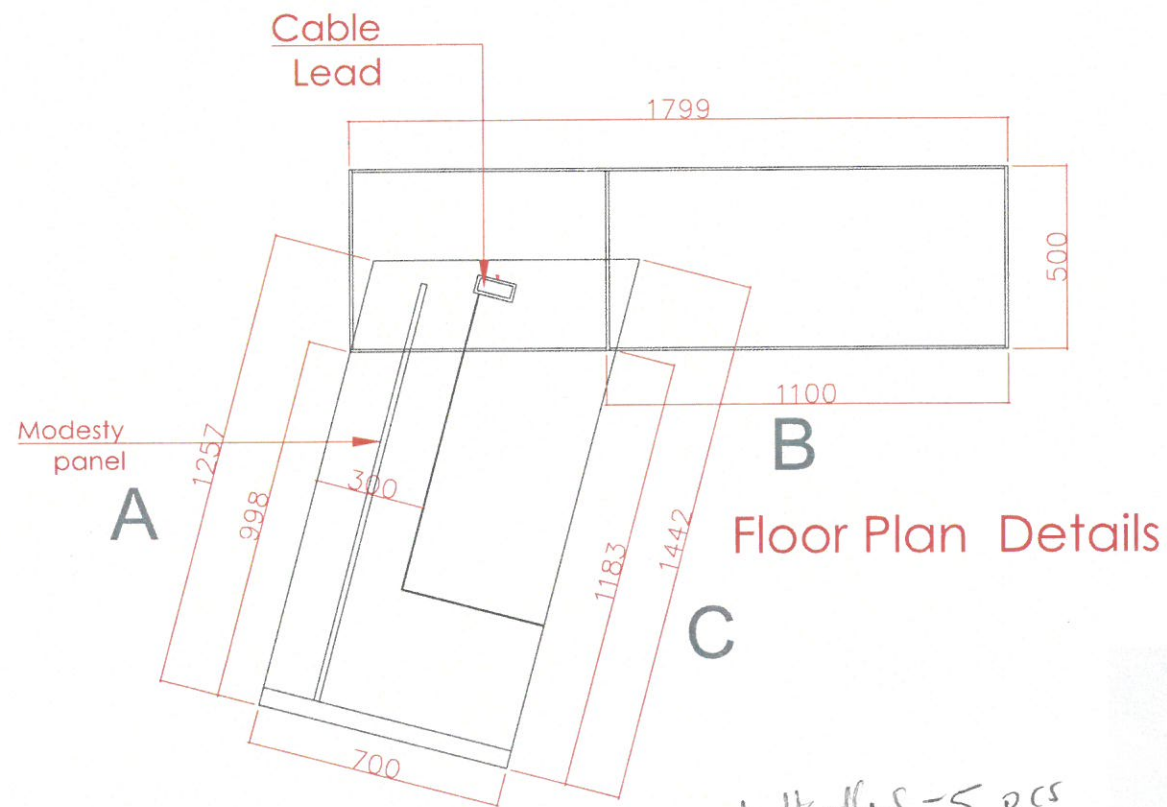
Elevation -A Details



Elevation -B Details
Access panel

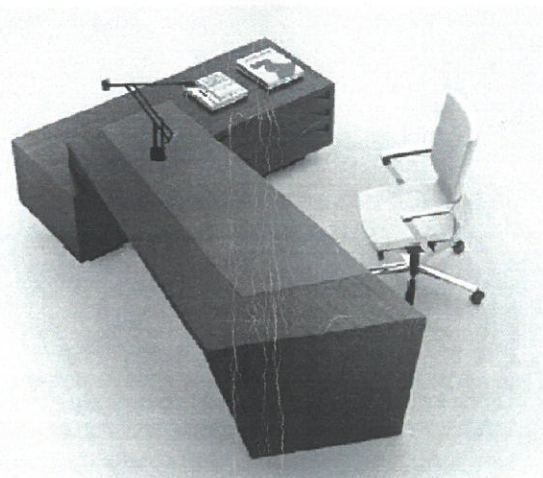


Elevation -C Details



Floor Plan Details

Cabinet Handles - 5 pcs
Cabinet locks - 2 pcs
Drawer rails 40cm - 3 pcs
Weld for smooth cable mgmt - 1 pc



FINISHES

JN-02
Starwood 310



www.wood-styles.com

Copyright of designs shown herein is retained by this office. Authority is required for any reproduction. © Copyright Wood-styles Ltd.

Nigeria, Lagos +234 80 9037 9888
Email: info@wood-styles.com

Project



Owner

Date	Description
DSD-V1-ID-17/11/2024	- REV1
DSD-V1-ID-27/1/2025	- REV2

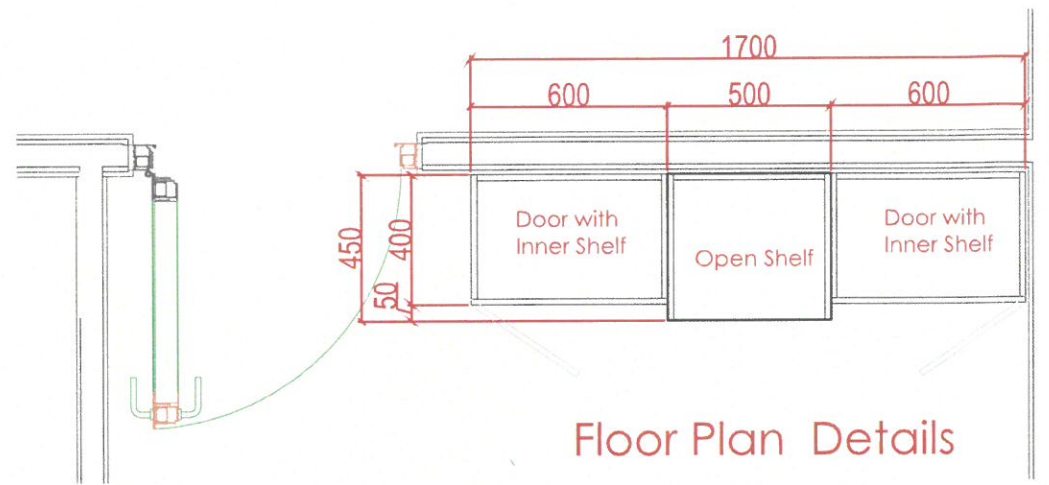


FOR APPROVAL

Project No. : ---
Scale : N/A
Drawn by : CRAIG
Checked : OBJ
Cad File : CAD_FILE


Sheet title
4TH FLOOR
Executive 1
L-SHAPED DESK
Floor Plan / Elevation / Sections

Dwg No.	No.
WS-DS-SD-ND-035	SHEET 1



Executive Office 1 BOOKSHELF WITH TV 4th Floor

FINISHES

JN-09 

JN02 
Starwood 310



www.wood-styles.com

Copyright of designs shown herein is retained by this office. Authority is required for any reproduction. © Copyright Wood-styles Ltd.

Nigeria, Lagos +234 80 9037 9888

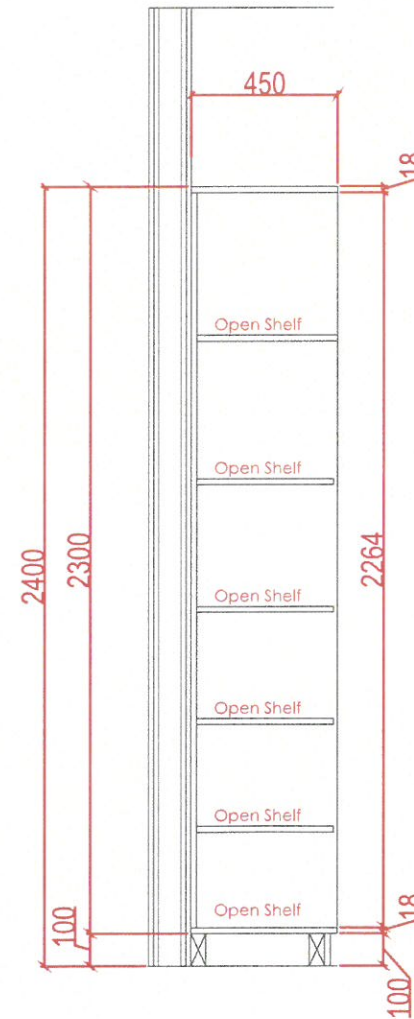
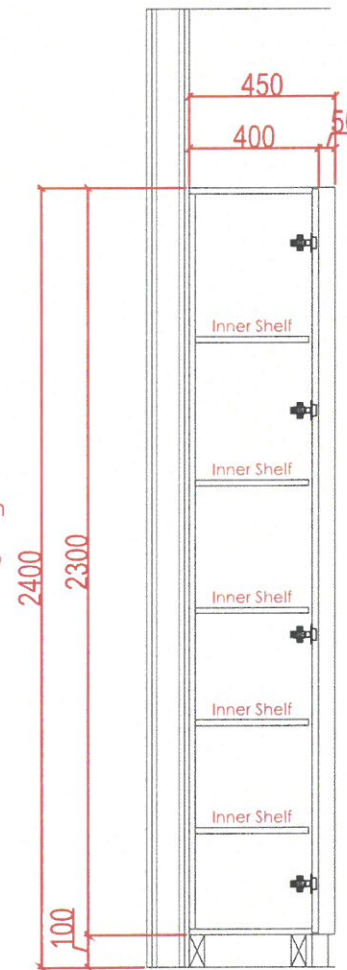
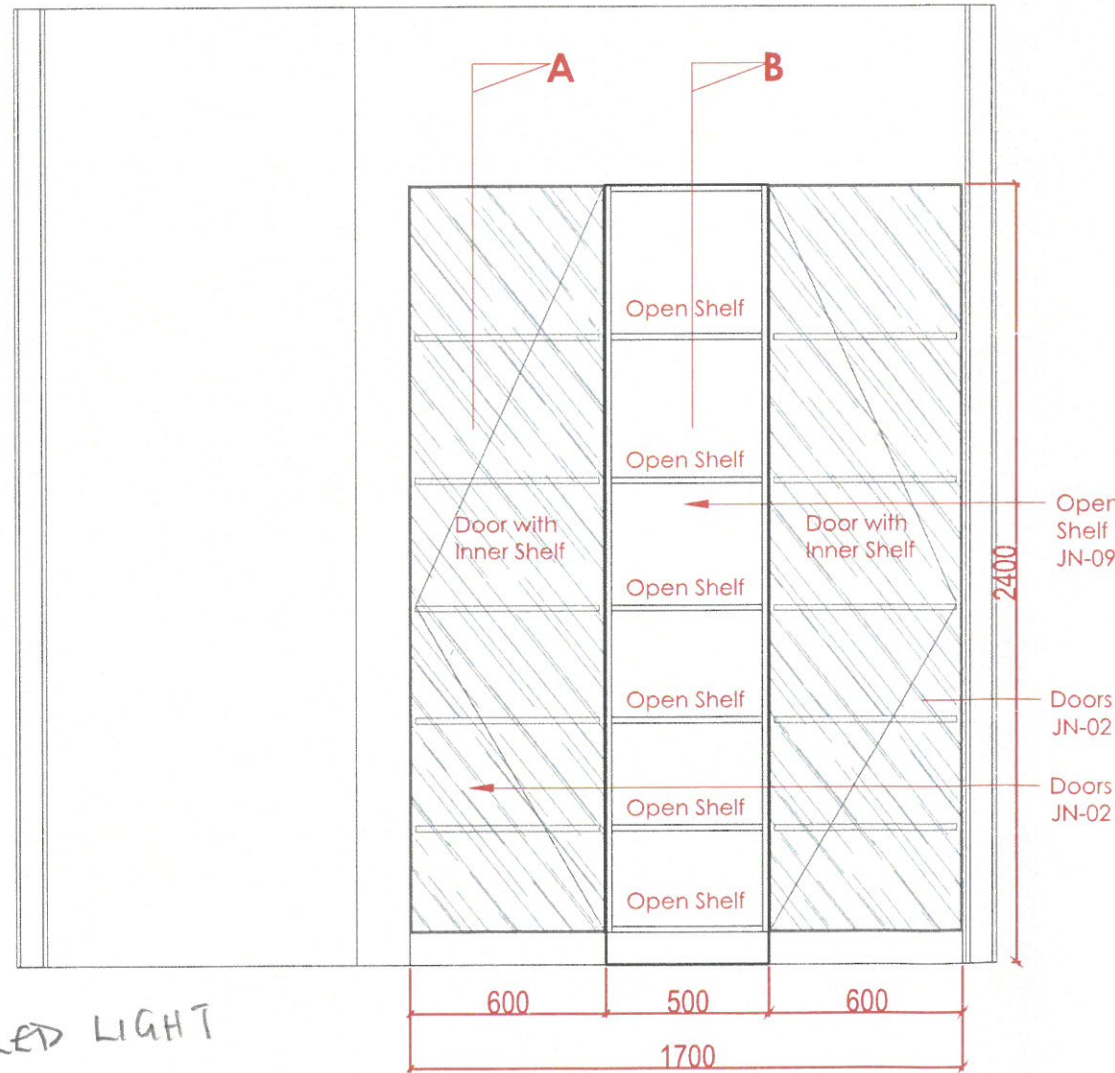
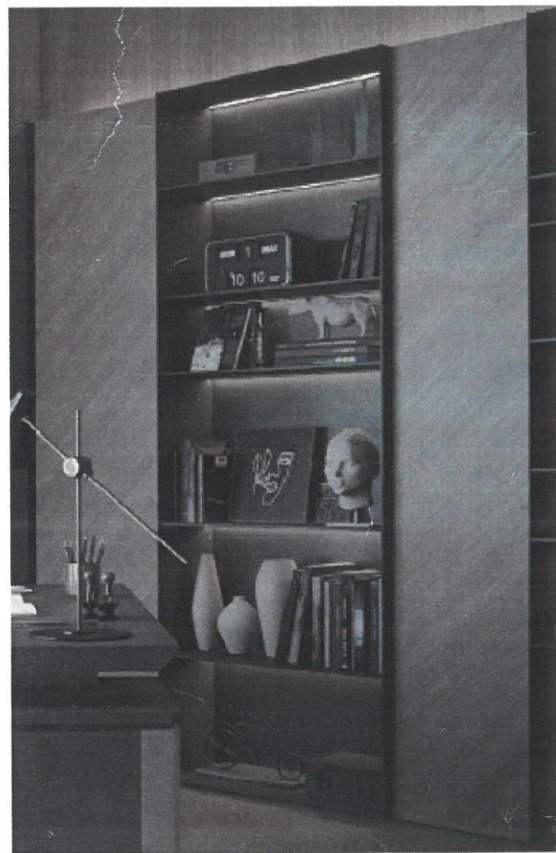
Email: info@wood-styles.com

Project



Owner

Date	Description
DSD-V1-ID-17/11/2024 - REV1	
DSD-V1-ID-27/1/2025 - REV2	



FOR APPROVAL

Project No. : ---
Scale : N/A
Drawn by : OBJ
Checked : OBJ
Cad File : CAD_FILE

Sheet title
4TH FLOOR
Executive 1
BOOKSHELF WITH TV
Floor Plan / Elevation / Sections

Dwg No. : WS-DS-SD-ND-036
No. : SHEET 1

LED LIGHT
Handle or push to open?
Hinges side